

Bibus VOP: a system that defeats comparison from all points of view.

Because with Urmet's Bibus Over Power, all you need are **two pairs of non-polarized wires** to set up a mixed door phone/video door phone system with up to **250 users and 12 call stations**, call secrecy and entrance switchboard.

And for a door phone system, all you need is one pair of wires.

Because Bibus Video Over Power is the innovative evolution of the digital system but with **reduced wiring** as to provide higher performance with fewer wires.

With the further significant advantage of being able to design systems with a **distance of up to 600 meters** without the need for amplifiers.

This extremely smart, outstandingly versatile system is ideal for any type of installation: from the single building with a few apartments to the multi-block residential complex.

But such an innovative system offers all this and much more including the possibility of making the call using **digital keypad modules** with electronic repertory, allowing you to choose between the modules of the genial, innovative Sinthesi entrance panel and those of the K-Steel armored, vandal-proof line.

With the effective possibility of calling no less than 250 users.

And you are free to decide whether to use traditional button type modules or digital modules with numeric keypad and electronic repertory: this applies to each of the 12 (main and secondary) **outside stations** the system can manage (with at the most 10 for the secondary).





BASIC
ELEMENTS

- X **Ref. 1072/7** Outside speaker station with integrated digitizer for 18 buttons for Sinthesi One module without buttons.
- X **Ref. 1072/19A** Universal outside speaker station with integrated digitizer for 18 buttons Can be used with the Aura and Mod. 725 entrance panels.
- X **Ref. 1072/5** Outside speaker station with integrated digitizer for 18 buttons for K-Steel Occupies the space of one module and is equipped with 2 standard buttons.
- X **Sch. 1072/28** Loudspeaking unit for Genya pushbutton panel
- X **Sch. 1128/44** Bibus audio entry panel arranged for loudspeaking unit and 4 buttons. Anthracite colour
- X **Sch. 1128/45** Bibus audio entry panel arranged for loudspeaking unit and 4 buttons. Light greycolour
- X **Sch. 1082/40** Bibus entry panel for 10 buttons. Anthracite colour
- X **Sch. 1082/45** Bibus entry panel for 10 buttons. Light grey colour
- X **Ref. 1072/13** Digital call module with electronic repertory on Sinthesi line Has an integrated outside speaker station and occupies the space of two modules. Back-lit keypad and LCD display.
- X **Ref. 1072/14** Digital call module with electronic repertory on K-Steel line Same characteristics as 1072/12 but on double K-Steel module.
- X **Ref. 1074/54** 4-user V.O.P. video distributor at the floor
- ▲ X **Ref. 1745/70** Module with swivel type b/w TV camera on Sinthesi
- ▲ X **Ref. 1745/40** Module with swivel type color TV camera on Sinthesi
- ▲ X **Ref. 1755/30A** Module with swivel type b/w TV camera on K-Steel
- ▲ X **Ref. 1810/70** B/w TV camera for Aura entrance panels
- ▲ X **Sch. 1810/40** CCD colour camera module for PVD brass panel
- ▲ X **Ref. 1742/13A** Adapter device for coax TV camera 1745/70, 1745/40, 1810/70, 725/600
- X **Ref. 1705/954** Bibus VOP bracket for Artico monitor
- X **Ref. 1202/954** Bibus VOP bracket for Atlantico, Winspot+, and Winflat+ monitors
- X **Sch. 1703/957** Bibus VOP bracket for Utopia video door phones
- ▲ X **Ref. 1705/1** Artico b/w video door phone
- ▲ X **Sch. 1703/1** Utopia colour video door phone
- ▲ X **Sch. 1702/1** Monitor b/n Atlantico
- ▲ X **Sch. 1702/40** Atlantico colour video door phone
- ▲ X **Sch. 1732/40** Scaitel 4" colour video module
- X **Ref. 1732/957** Bracket for Scaitel DE video module
- X **Sch. 1172/40** Basic door phone with single decoder
- X **Sch. 1172/45** Comfort door phone with selectable ringer, volume adjustment, mute, automatic door release
- X **Sch. 1072/42** Entrance switchboard
- X **Ref. 1072/24** Bus coupler with integrated transformers
- X **Ref. 1074/20** V.O.P. video power supply
- X **Ref. 1074/90** Cable 2 x 0.75 mm² + 2 x 1 mm² flame-proof cable OD 7 mm, 100-m skein



Ref. 172/45



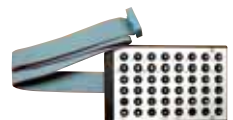
Ref. 1072/13



Ref. 1072/42

ACCESSORIES

- X **Ref. 1072/67** Bibus interface for Urmet Agorà telephone switchboards
- X **Ref. 1072/80** Bibus special decoder for auxiliary services (switching on of stair lights, opening of main gate, etc.).
- X **Ref. 1038/17** 16-button expansion for outside speaker station 1072/19A, 1072/5 and 1072/7
- X **Ref. 1072/59** Bibus extra ringer
- X **Ref. 1038/74** Extra alphabetic keypad on Sinthesi
- X **Ref. 1038/73** Extra alphabetic keypad on K-Steel
- X **Ref. 1072/60** Programming adapter
- X **Ref. 1072/57** Cable for programming from PC
- X **Ref. 1032/65** Alphanumeric programming keypad
- X **Ref. 1072/58** Bibus programming kit consisting of: 1072/60, 1072/57, 1032/65
- X **Ref. 1795/40** DE video distributor
- X **Ref. 1795/250** DE video signal regenerator



Ref. 1032/65

■ Coax video systems ▲ "5 wire" video systems X Digital systems

URMET DOMUS S.p.A.

10154 Torino (ITALY) Via Bologna, 188/C
Switchboard Telef. +39 011.24.00.000
Export dept. Telef. +39 011.24.00.250/256 Fax +39 011.24.00.296
www.urmetdomus.com • info@urmetdomus.it



HOME & BUILDING
SOLUTIONS

System with power,
elegance and beauty.



Bibus VOP
reduced-wiring digital video door
phone system

urmet



With Bibus VOP, maximum definition of the image is assured, also in color.

Top flight performance with complete freedom of choice. Installing a system with video door phones is easy with **the VOP cable** consisting of two simple twin pairs.

Easy, straightforward wiring and also a complete range of monitors.

With unmatched freedom of choice as regards **design**: Utopia, Atlantico and Artico for the monitor and K-Steel, Sinthesi, Genya and Exigo for the entrance panel.

The system therefore adds high level technological content to a range that features well-entrenched styling and widely recognized prestige. But Bibus VOP offers many more advantages: call to the floor **without adding wires** in the riser, with the possibility of choosing

between no less than 6 types of ringer; diversified tone between call to the floor and call from outside speaker station; two monitors in parallel without local power supply; up to three devices inside the apartment (monitors and



door phones); adjustment of call volume; automatic activation of audio-video on the main outside speaker station without adding conductors; **integration with telephony** via Urmet PABX.



Door phones with only two wires and latest generation performance.



The door phone system can be set up immediately without any wiring problems, simply using a twin pair. A result assured by Urmet technology.

But Bibus demonstrates its exceptional versatility on many different occasions.

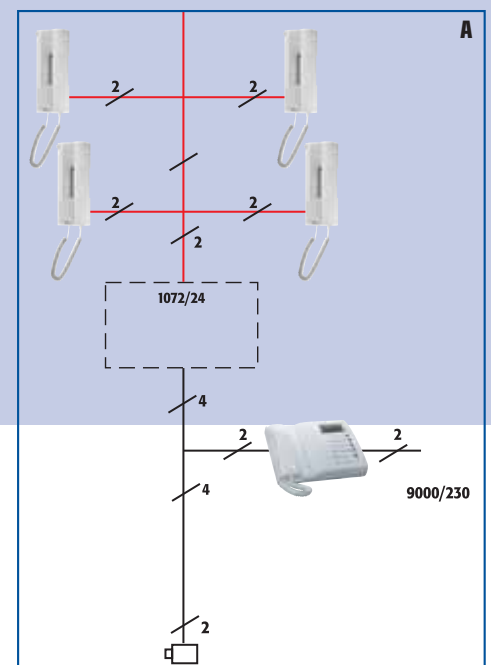
When it caters to the needs of a new video system that can reach **80 meters in riser** using two simple AWG22 twin pairs and up to **200 meters** with the 1074/90 dedicated cable consisting of a 0.75 mm² and a 1 mm² twin pair or restructuring projects where an old system can be replaced with a VOP without changing the existing cables, within a limit of 50 meter of riser provided that the cross-section is more than 0.22 mm².

All this is accompanied by the possibility of setting up systems with a total extension of no less than **800 meters** in which there can be a distance of up to 600 meters between the outside speaker station and furthest monitor.

Other services such as switching on of the stair lights, opening of secondary entrances or main gates can also be managed with the special decoders and keys on the monitor and on the door phones without adding extra wires.

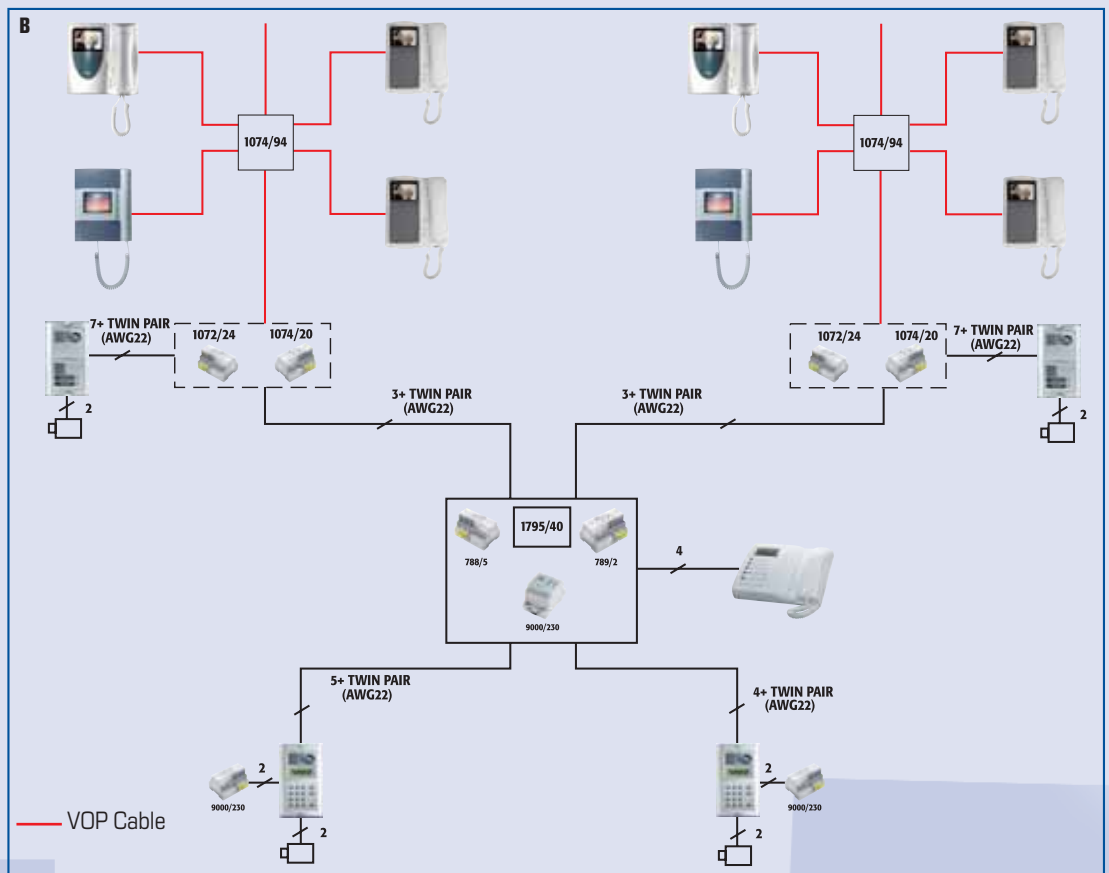


A 1 main audio input on a riser with entrance switchboard.



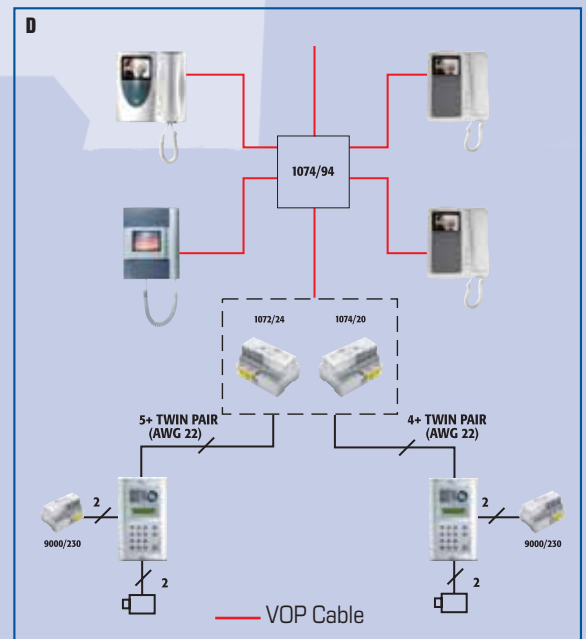
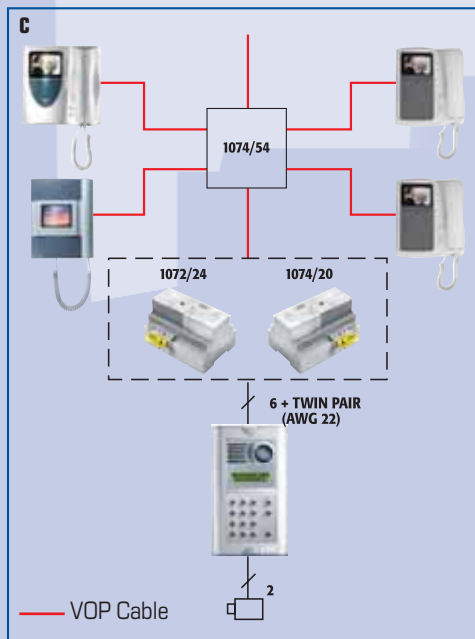
INTEGRATED SYSTEMS

B 2 main video inputs with 2 risers each with secondary at the foot of the stairs; entrance switchboard.



C 1 main video input on a riser with distribution to the floor.

D 2 main video inputs in switching mode on a riser.



AN INFINITE VARIETY OF SOLUTIONS

Bibus VOP is the ideal system for any type of home:

- Single building with a limited number of users;
- Condominium with main entrance and several stairs, each with its own entrance panel;
- One or more risers;
- Multi-building residential complex;
- Complex with several detached houses.

THE FLEXIBLE SOLUTION

Extension of Bibus VOP makes it possible to set up any type of installation:

- New or being restructured;
- Entrance-exit type or distribution to the floor;
- Black/white or color or mixed;
- One or more risers;
- Main and secondary;
- With entrance switchboard;
- With monitor and door phones in parallel.